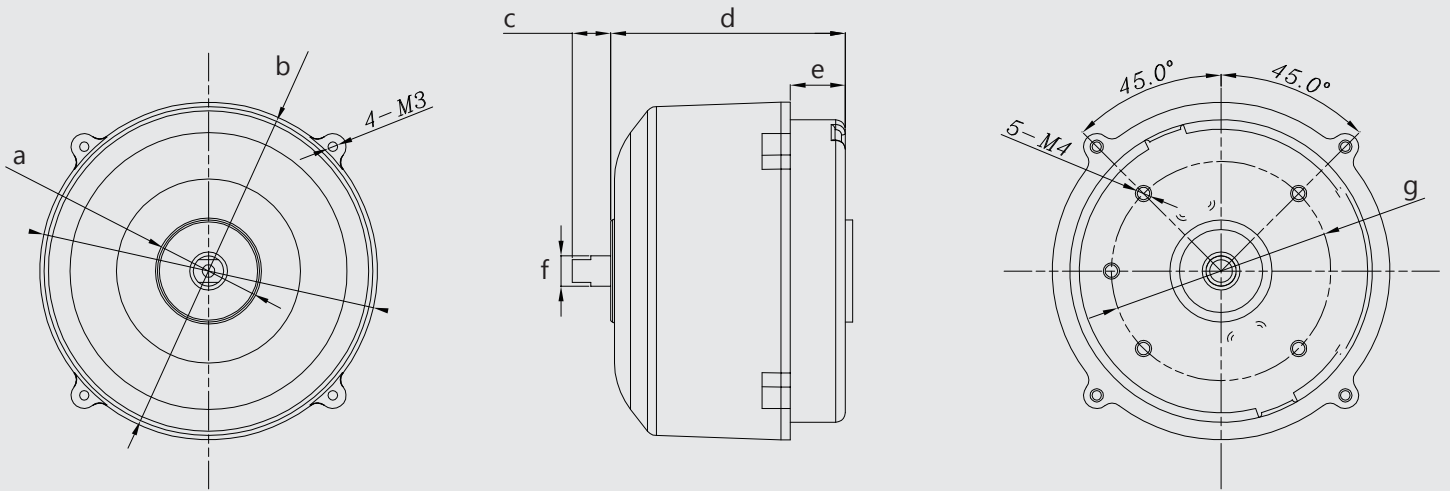


# 65W BLDC MOTOR

---

For axial fan and centrifugal fans

# TECHNICAL SPECIFICATION



(mm)	a	b	c	d	e	f	g
DCM31045	27	87	10.2	50	8.5	8	27
DCM31065	27	87	10.2	61	14.5	8	27

Motor	Input VAC	Control VDC	Power W	Rated RPM	Rated Current	Type	Phase	Bearing
DCM31045	220VAC	310VDC	45	2850 ±5%	<150 ±5%mA	Sensorless	3	Ball
DCM31065	220VAC	310VDC	60	2750 ±5%	<200 ±5%mA	Sensorless	3	Ball



## Built-in 310VDC Controller

This motor is built-in with 310VDC controller, no need for additional control boards.

High-voltage-driven technology consumes 10-15% less power than conventional 24VDC motors.

## Inner Rotary Design

More suitable for small home air-related devices that required higher RPM.

## PWM & VR Control Supported

Compatible with various user interface controllers, including IOT and self-detection functions.

